

## CMHR9252W-28CFN

### 5 MP True Color 247 Bullet Camera



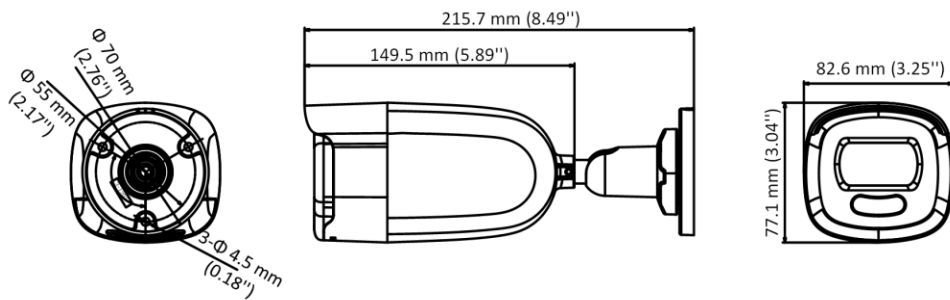
- 5 MP, 2560 × 1944 resolution
- 24-hour color image
- 130 dB true WDR, 3D DNR
- 2.8 mm fixed focal lens
- Smart Light, up to 131ft (40 m) white light distance
- 4 in 1 video output (switchable TVI/AHD/CVI/CVBS)
- IP67

## Specification

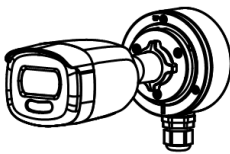
Camera	
Image Sensor	5 MP CMOS
Signal System	PAL/NTSC
Resolution	2560 (H) × 1944 (V)
Frame Rate	TVI: 5MP@20fps, 4MP@30fps, 4MP@25fps, 1080p@30fps, 1080p@25fps CVI: 4MP@30fps, 4MP@25fps AHD: 5MP@20fps, 4MP@30fps, 4MP@25fps CVBS: PAL/NTSC
Min. illumination	0.0005 Lux @ (F1.0, AGC ON), 0 Lux with White Light
Shutter Time	PAL: 1/25 s to 1/50, 000 s NTSC: 1/30 s to 1/50, 000 s
Slow Shutter	Max. 16 times
Lens	2.8 mm fixed lens
Horizontal Field of View	2.8 mm, horizontal FOV: 99.7°, vertical FOV: 72°, diagonal FOV: 139.8°
Lens Mount	M16
Strobe Light Alarm	Yes
Day & Night	Color
WDR (Wide Dynamic Range)	≥130 dB
Angle Adjustment	Pan: 0 to 360°, Tilt: 0 to 90°, Rotation: 0 to 360°
Menu	
White Light	Auto/Off
Image Mode	STD/HIGH-SAT
AGC	Yes
Day/Night Mode	Color
White Balance	Auto/Manual
AE (Auto Exposure) Mode	WDR/BLC/HLC/Global/HLS/Anti-banding
Privacy Mask	4 programmable privacy masks
Motion Detection	4 programmable motion areas
Noise Reduction	3D DNR
Language	English
Function	Brightness, Sharpness, Mirror, Smart Light
Interface	
Video Output	Switchable TVI/AHD/CVI/CVBS
General	
Operating Conditions	-40 °C to 60 °C (-40 °F to 140 °F), humidity 90% or less (non-condensing)
Power Supply	12 VDC ± 25% *You are recommended to use one power adapter to supply the power for one camera.
Power Consumption	Max. 4.9 W
Protection Level	IP67

Material	Front Cover: Metal Main Body: Plastic
White Light Range	Up to 131ft (40 m)
Dimensions	82.6 mm × 77.1 mm × 215.7 mm (3.25" × 3.04" × 8.49")
Weight	Approx. 415 g (0.91 lb.)

## Dimension



## Accessory



**LTB345**  
Junction Box